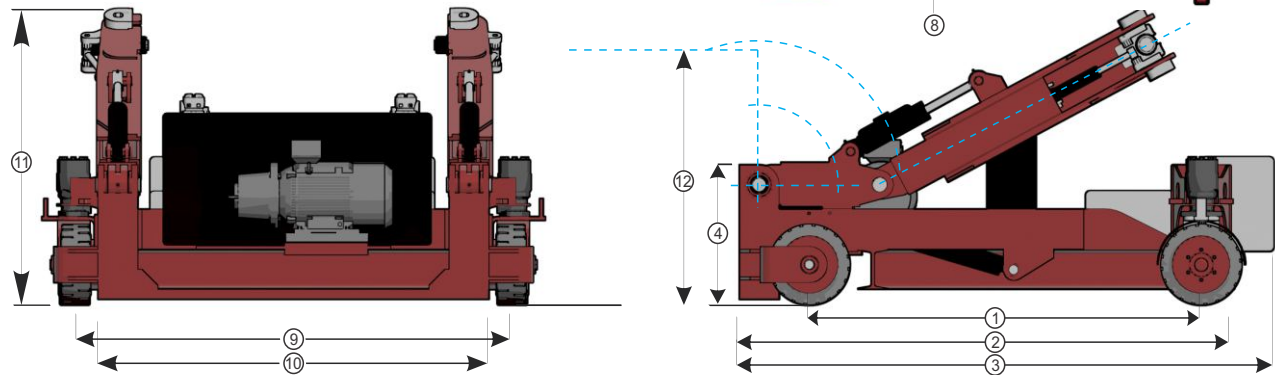


FMA

FMA Industrial Chile
First Class Mining Attachment



1	Distance between axis	1950 mm
2	Length structure	2450 mm
3	Total length	2770 mm
4	Structure height	700 mm
5	Interior free width	1550 mm
6	Total width	2400 mm
7	Interior free length	1050 mm
8	Structure section	250 mm
9	Width between axes of tires	2170 mm
10	Tool width with unfolded cylinders	2100 mm
11	Total height of transfer	1350 mm
12	Working height 90°	1200 mm

DCN-03 / All dimensions are approximate.
The dimensions correspond to NS-060317-05

DCN-03
DESACOPLADOR DE COMPONENTES PARA NEUMATICOS

FMA Industrial Chile
First Class Mining Attachment